



PUMP SYSTEMS

Fluid Systems Fill-Interface Caps, Necks and Accessories

From Wisco Products

If you manufacture combustion engine driven pumping systems, whether skid mounted, trailer mounted or truck mounted, Wisco Products has the components for your fluid-fill interfaces. Wisco Products has been providing quality fluid-fill capping solutions to original equipment manufacturers of heavy duty off-road equipment, mining equipment, construction and agricultural machinery and rail locomotives for nearly 50 years. Wisco Products has fluid-fill caps, necks, strainers, transitional mounting tubes and dipsticks for your pump and other systems. Whatever quantities you require, Wisco Products can supply the solutions for your fuel, lubricant, cooling and hydraulic fluid-fill interfaces. Some of our standard products are shown below. Our staff can also work with your designers and engineers to develop products to meet your special applications. **Contact our inside sales department at 800-367-6570 to see how we can help you.**



See other side for details and specifications >



Find out more, call us at 1-800-367-6570

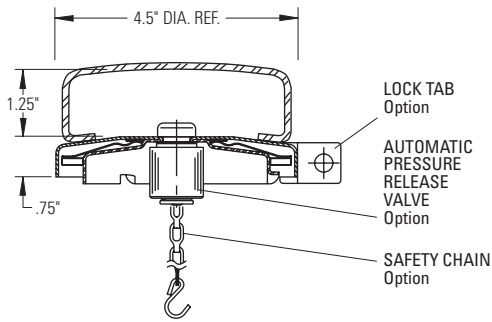
Wisco Products Inc. • 109 Commercial Street • Dayton, Ohio 45402 • Fax 937-228-2407 • www.wiscoproductions.com

PUMP SYSTEMS

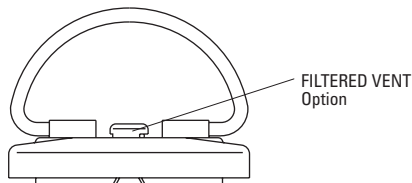
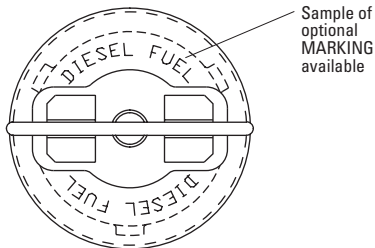
Fluid Systems Fill-Interface Caps, Necks and Accessories

These illustrations represent some of the many options available for our 600 Series product line. Other product series (sizes and types) are also available from Wisco Products.

600 SERIES CAP Configurations



CAP with FIXED HANDLE



CAP with fold-flat BAIL HANDLE



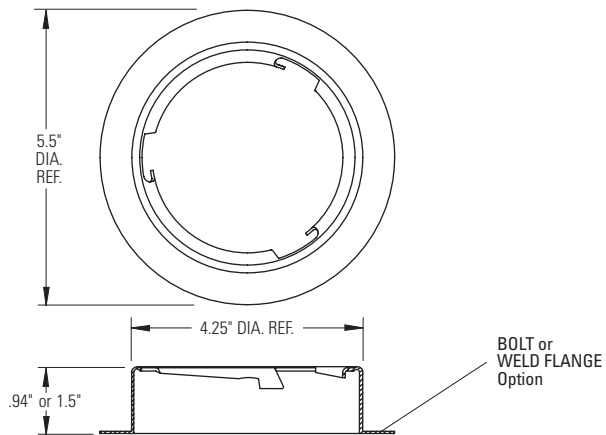
KNURLED CAP



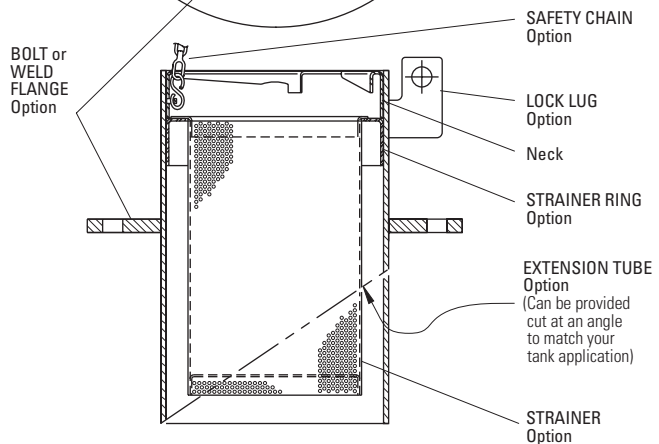
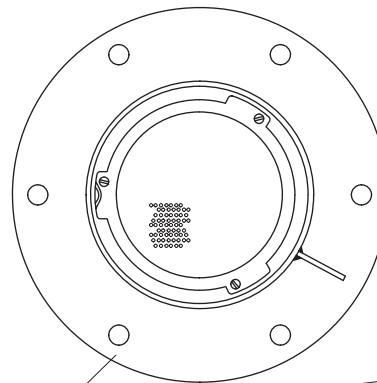
DIPSTICK Option



600 SERIES NECK, MOUNTING & STRAINER Configurations



Basic 600 SERIES NECK (available with or without flange)



600 NECK MOUNTING with EXTENSION TUBE and BOLT FLANGE



Find out more, call us at 1-800-367-6570