

RADIATOR

Caps, Necks and Accessories

From Wisco Products

If you manufacture radiators, reservoirs or other fluid based cooling systems, Wisco Products has the components for your coolant-fill interface. Wisco Products has been providing quality fluid-fill capping solutions to original equipment manufacturers of heavy duty off-road equipment, mining equipment, construction and agricultural machinery and rail locomotives for nearly 50 years. Wisco Products has radiator caps, necks and transitional mounting tubes for your coolant tanks. Whatever quantities you require, Wisco Products can supply the proper solution to prevent coolant evaporation, keep air out of the system and to provide safe over-pressure venting and proper coolant overflow control. Some of our standard products are shown below. Our staff can also work with your designers and engineers to develop products to meet your special applications. **Contact our inside sales department at 800-367-6570 to see how we can help you.**



See other side for details and specifications >



Find out more, call us at 1-800-367-6570

Wisco Products Inc. • 109 Commercial Street • Dayton, Ohio 45402 • Fax 937-228-2407 • www.wiscoproductions.com

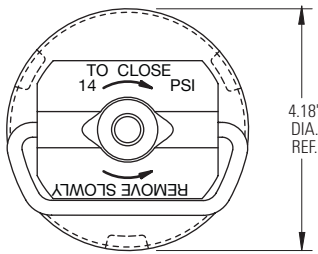
RADIATOR

Caps, Necks and Accessories

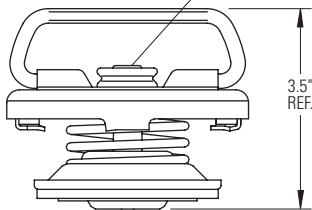
These illustrations represent some of the many options available for our 400 Series product line.

400 SERIES CAP Configurations

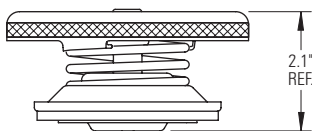
Available in Mild Steel & Stainless Steel



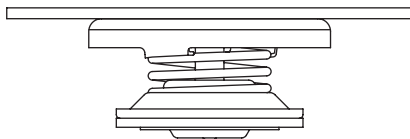
MANUAL PRESSURE
RELEASE PUSHBUTTON
Option (with COVER BOOT)



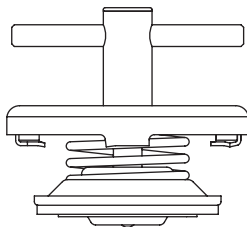
CAP with "fold-flat" BAIL HANDLE



KNURLED CAP



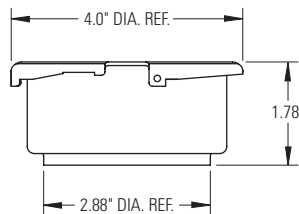
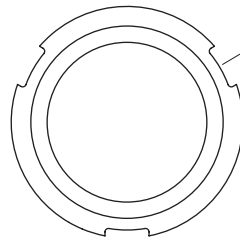
CAP with BAR HANDLE



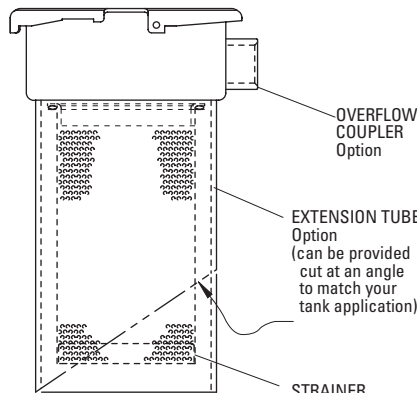
CAP with "T" HANDLE

400 SERIES NECK & MOUNTING Configurations

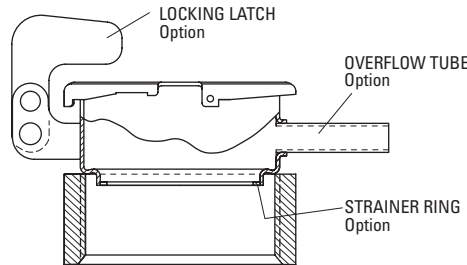
Available in Mild Steel, Stainless Steel & Brass



Basic 400 SERIES NECK

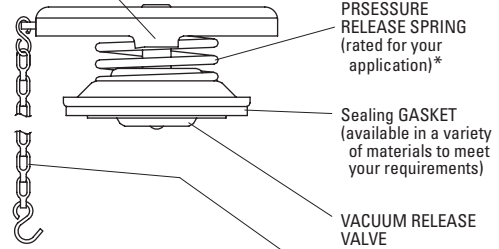


NECK MOUNTING
with EXTENSION TUBE



NECK MOUNTING
with THREADED COUPLER

LOCKING Options
are 3-PRONG as
standard or 2-PRONG
by special order



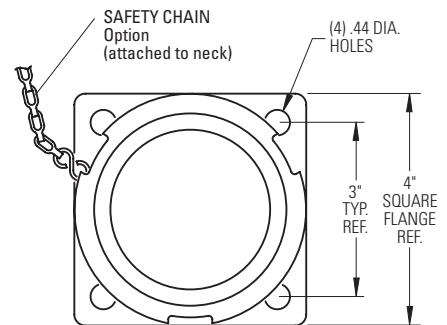
PRERELEASE
RELEASE SPRING
(rated for your
application)*

Sealing GASKET
(available in a variety
of materials to meet
your requirements)

VACUUM RELEASE
VALVE

SAFETY CHAIN
Option

* Standard PRESSURE
RATINGS include
0, 4, 7, 10, 12, 14 & 20 PSI



NECK MOUNTING
with BOLT FLANGE

MOUNTING FLANGES,
both bolt and weld type,
are available in square or round
configurations of various sizes.
They can also be added to
EXTENSION TUBES,
either at the base as shown above,
or somewhere up the
length of the extension tube.



Find out more, call us at 1-800-367-6570