

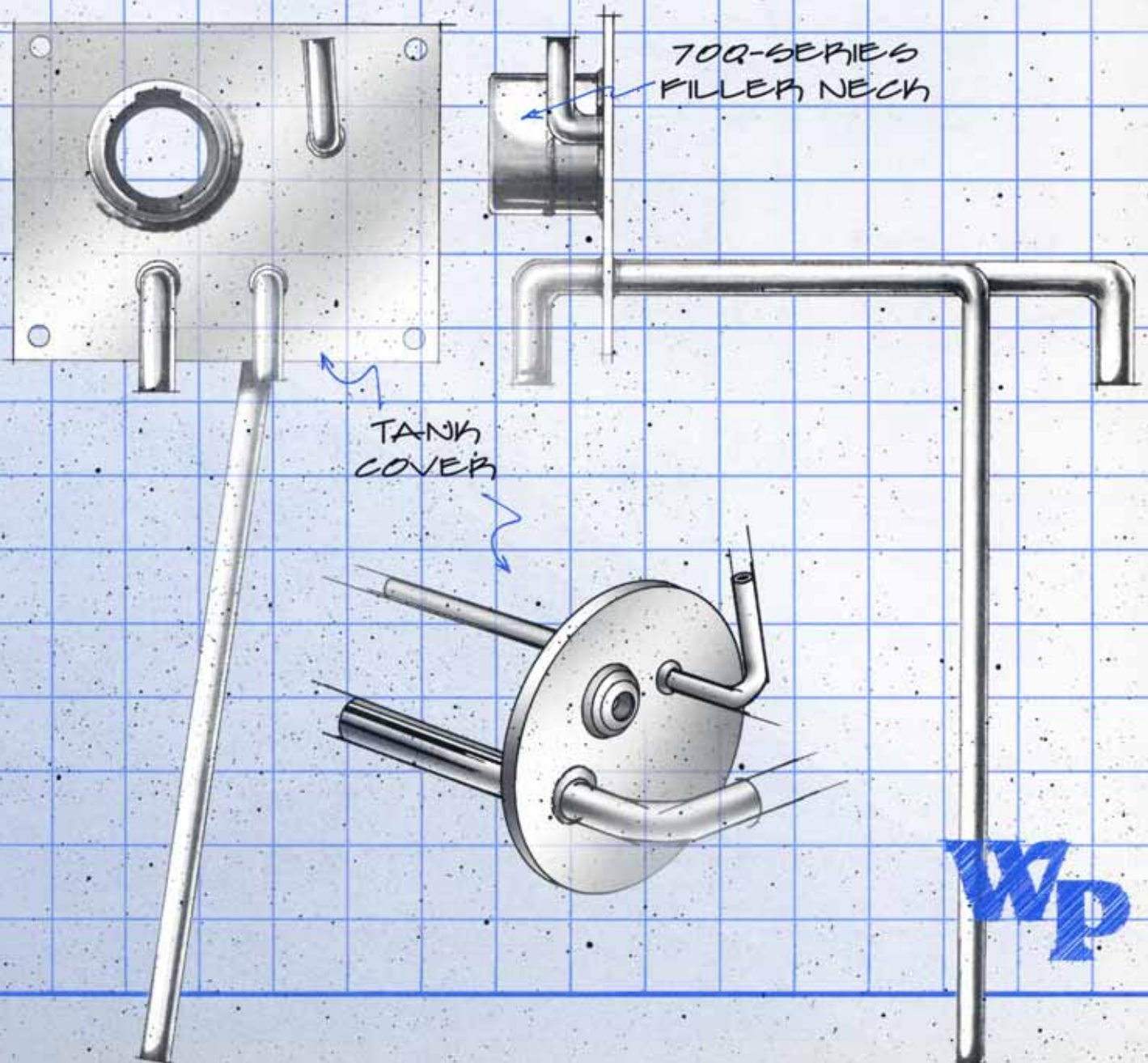
Wisco Products Custom Fabrication

Providing same source value for complex filler assemblies and tanks

Wisco Products produces a full line of filler caps, necks and accessories for several markets including heavy-duty transportation, industrial, agriculture, and locomotive, among others. We pride ourselves in our high quality, heavy gauge materials as well as our precision fabrication and assembly.

Our expertise and specialized production facility also allow us to fabricate an unlimited range of custom products and components for your filler and tank needs. This custom fabrication and assembly enable effective solutions for all your filling and fluid storage challenges.

Our customer service and responsiveness are just as specialized. Regardless of your order quantity, Wisco provides the service and performance you can count on. We deliver product when and where you need it, anywhere in the world.



Single parts to multiple-component assemblies

Wisco Products developed its skills over the past several decades for producing high quality custom fabrication and sub-assemblies. We've especially honed this expertise with our filler product line. This complete manufacturing capability reduces your burden of dealing with multiple vendors while helping control your administrative and production costs.

Whether your order requires custom fabrication, special machining, welding, secondary assembly, or a combination we've developed the equipment, expertise and procedures to plan and execute your order with the highest quality on time at a competitive price.

We continually train our skilled operators, machinists, welders, assemblers and technical personnel necessary for a quality operation. Our procedures help us meet or exceed the military quality standard MIL-I-45208A as well as the ISO 9001 international quality standard.



These complex assemblies are just a few examples of Wisco Products quality custom fabrication.

Call us first!

Wisco Products specializes in providing a full line of standard and custom fluid filler components for all your engine and fluid containment needs - including fuel, oil, hydraulic and radiator systems. Our custom fabricating and assembly capabilities give you single-source value and reliability. Tell us what you need, and we'll make it for you. Call Wisco first for high performance product and service on all your filler and tank product needs.

W P

Service and performance you can count on.

WISCO PRODUCTS INC. PRECISION STAMPING TO COMPLETE SUB-ASSEMBLY



Wisco Products Inc. • 109 Commercial Street • Dayton, Ohio 45402
Phone 1-800-367-6570 • Fax 937-228-2407 • Web www.wiscoproductions.com